

A

B

C

D

E

F

G

H



**EVOL**  
**AUTOMATION**

# LINEA FORMATURA TARALLI 600

Author:

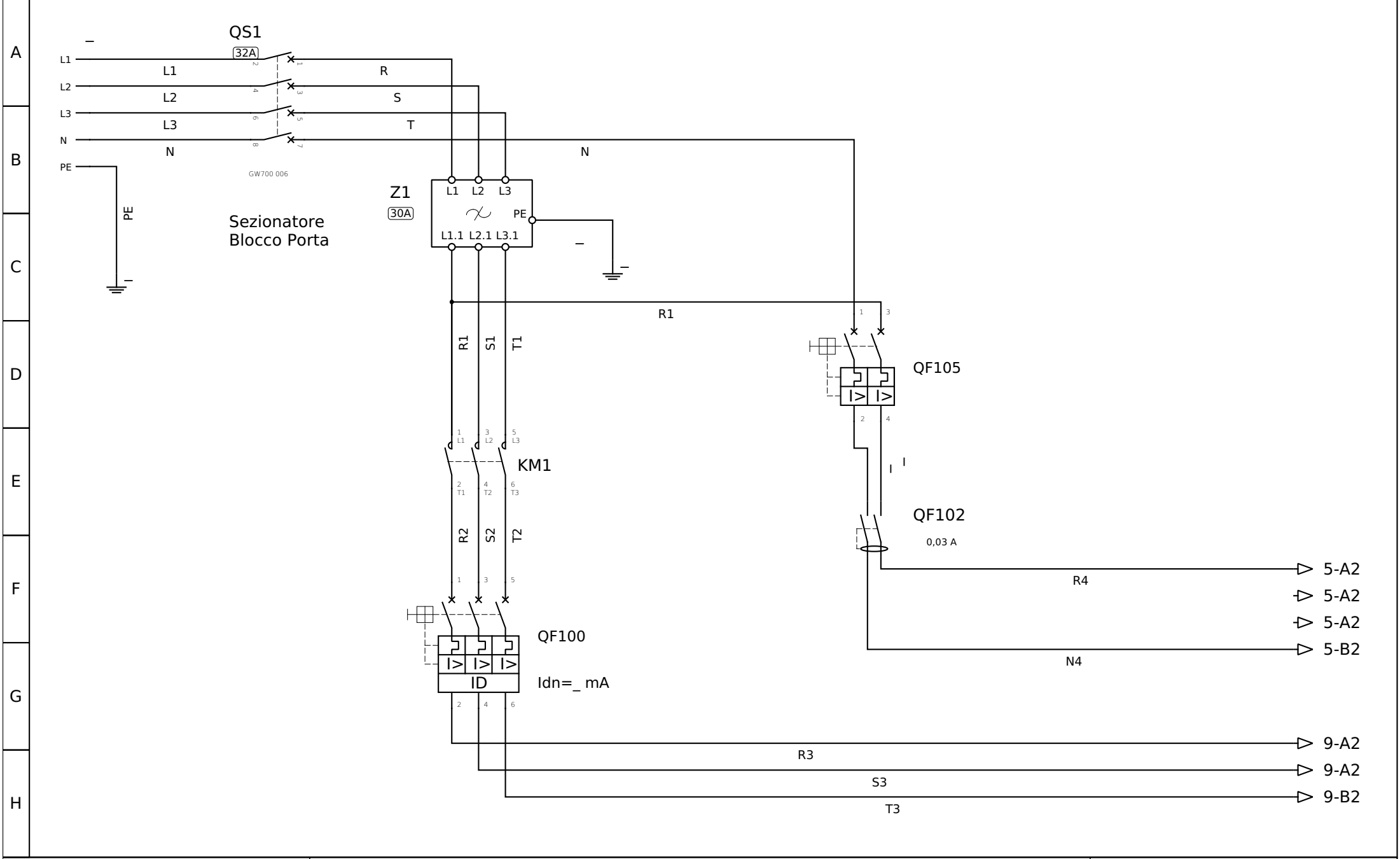
COPERTINA

File:

Date: 01/06/17

Folio: 1/40





Author: F.Alfano

Date: 01/06/17

ARRIVO LINEA

File:

Folio: 3/40

	1	2	3	4	5	6	7	8	9	10	11	12	13	14	15	16	17
A																	
B																	
C																	
D																	
E																	
F																	
G																	
H																	

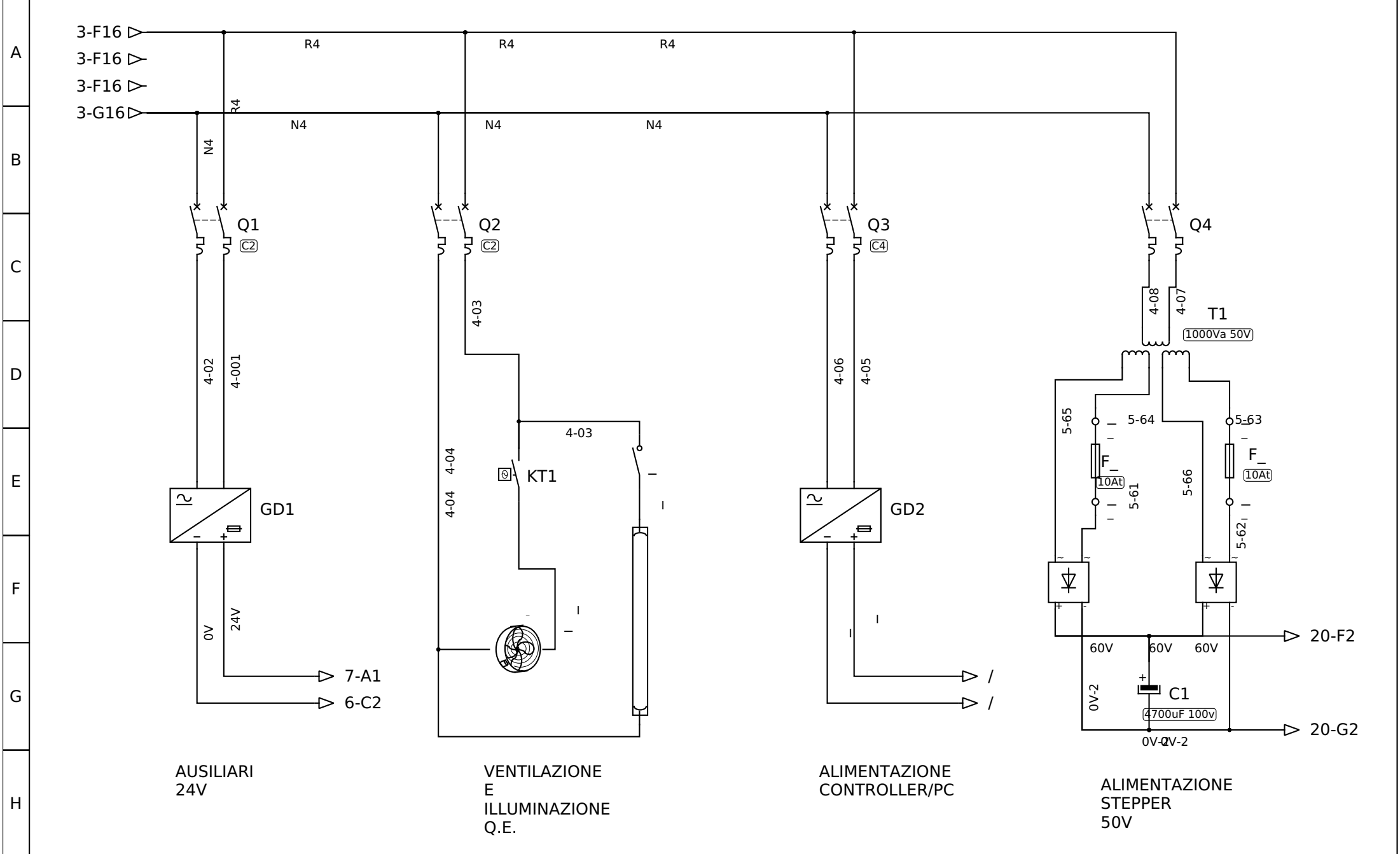
Author:

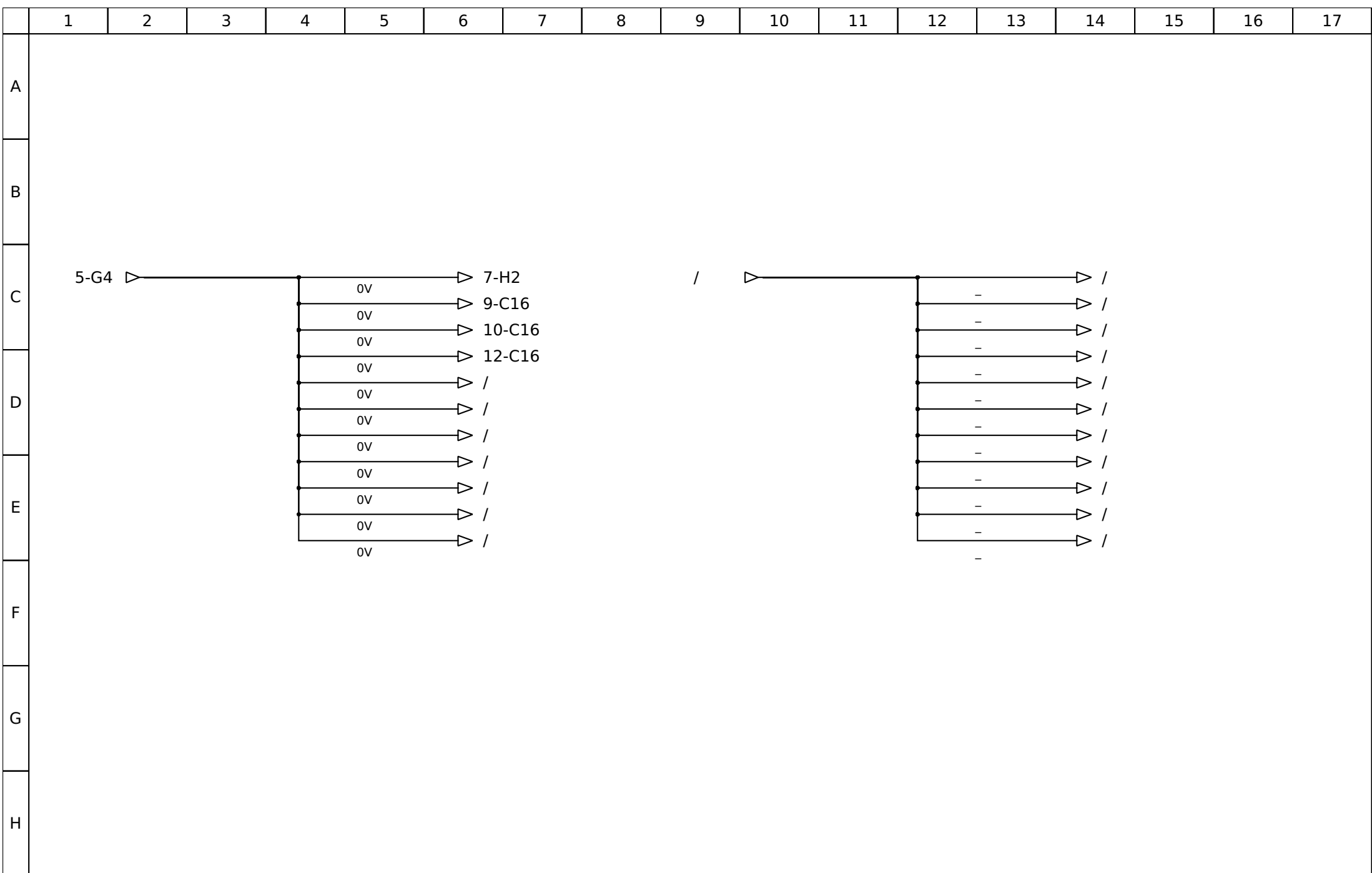
SPARE

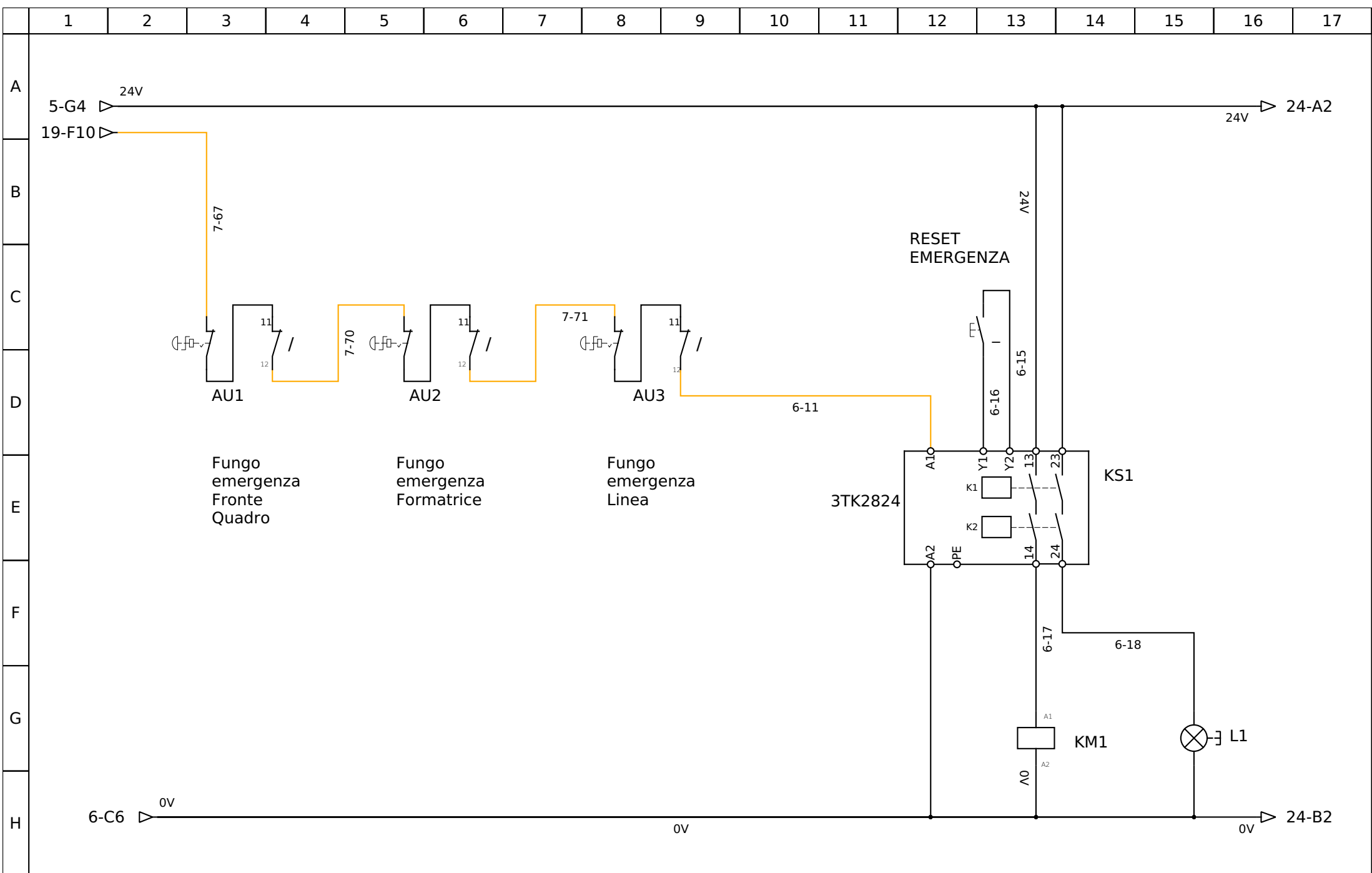
File:

Date:

Folio: 4/40







	1	2	3	4	5	6	7	8	9	10	11	12	13	14	15	16	17
A																	
B																	
C																	
D																	
E																	
F																	
G																	
H																	

Author:

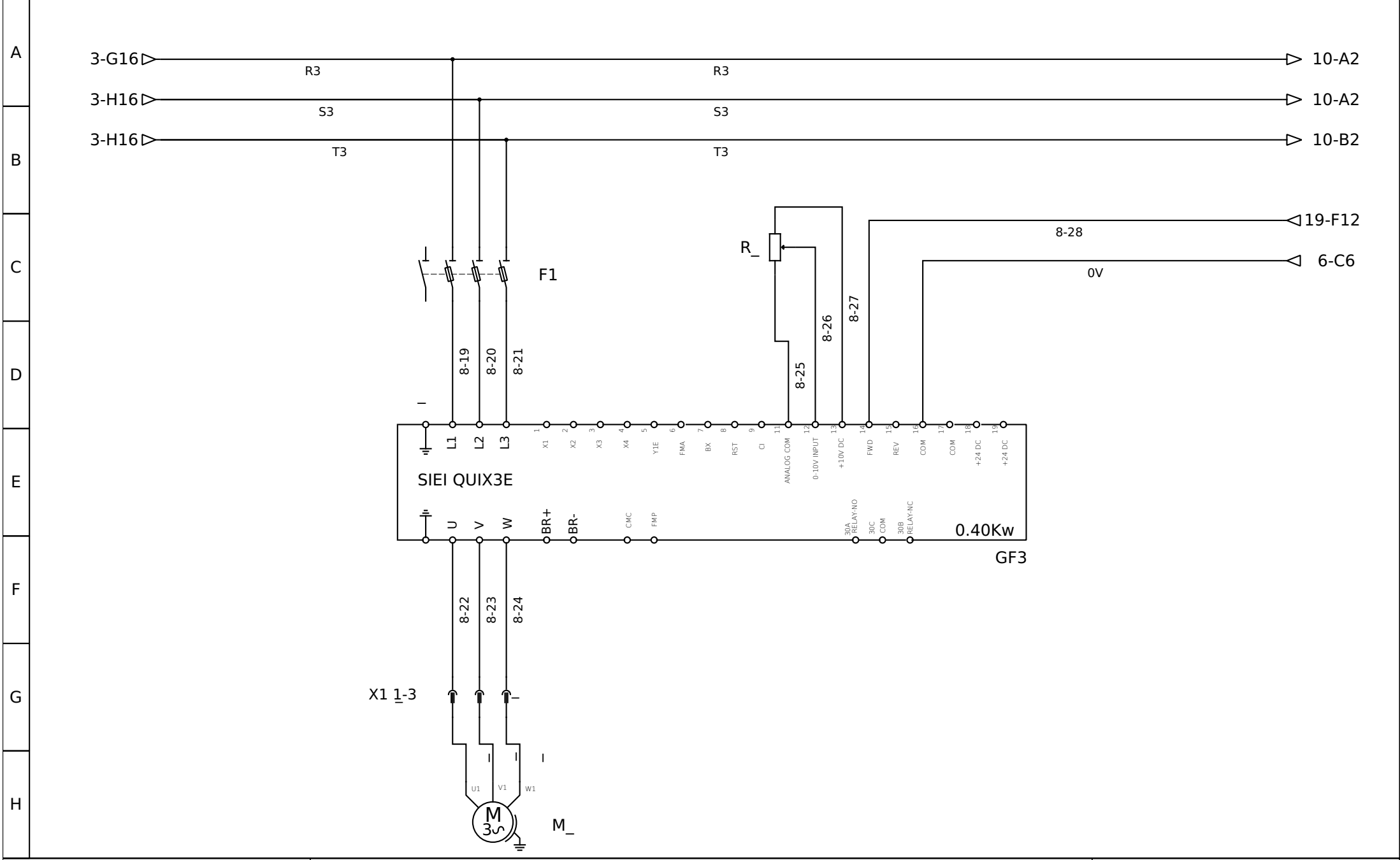
SPARE

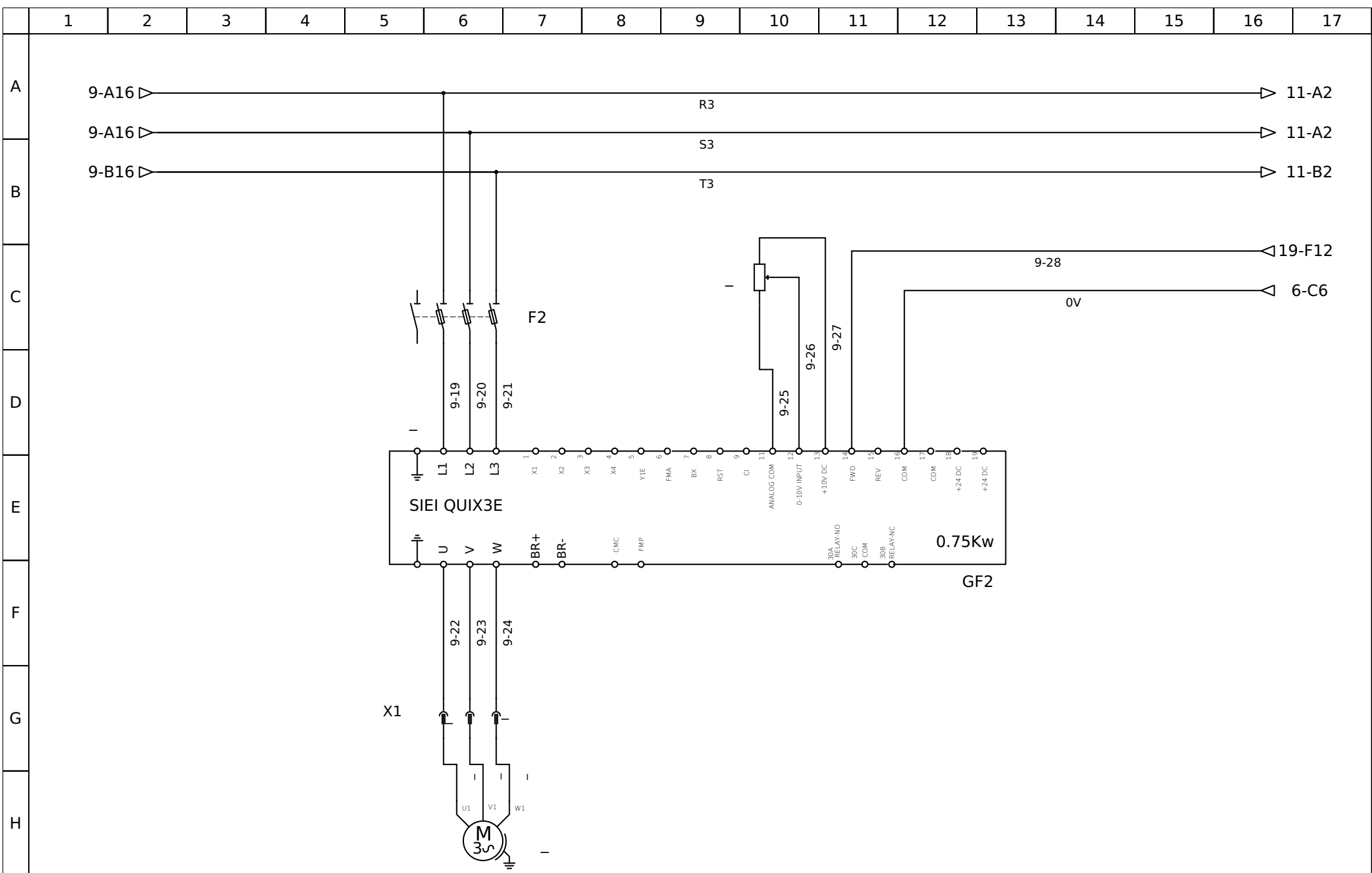
File:

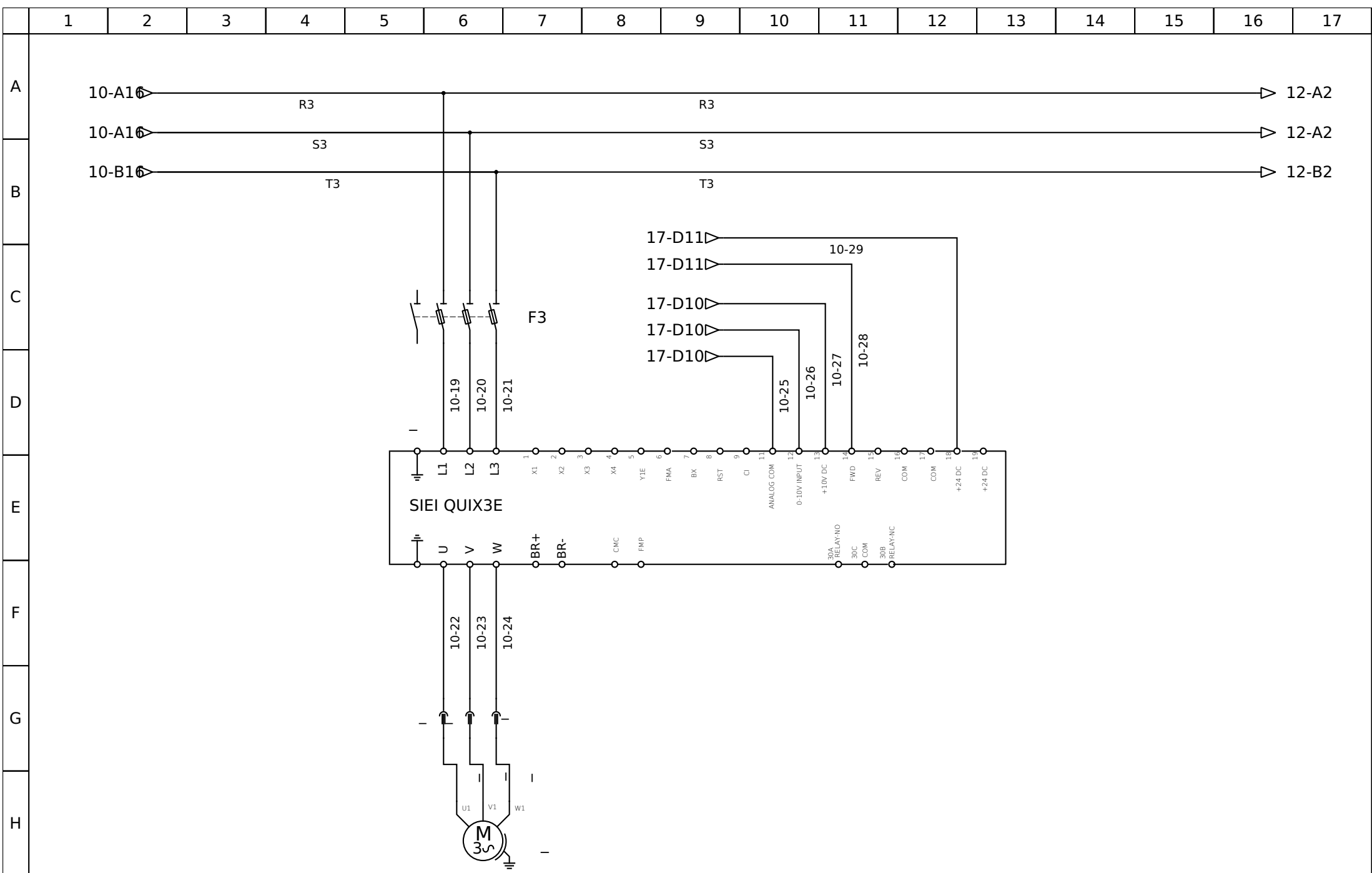
Date:

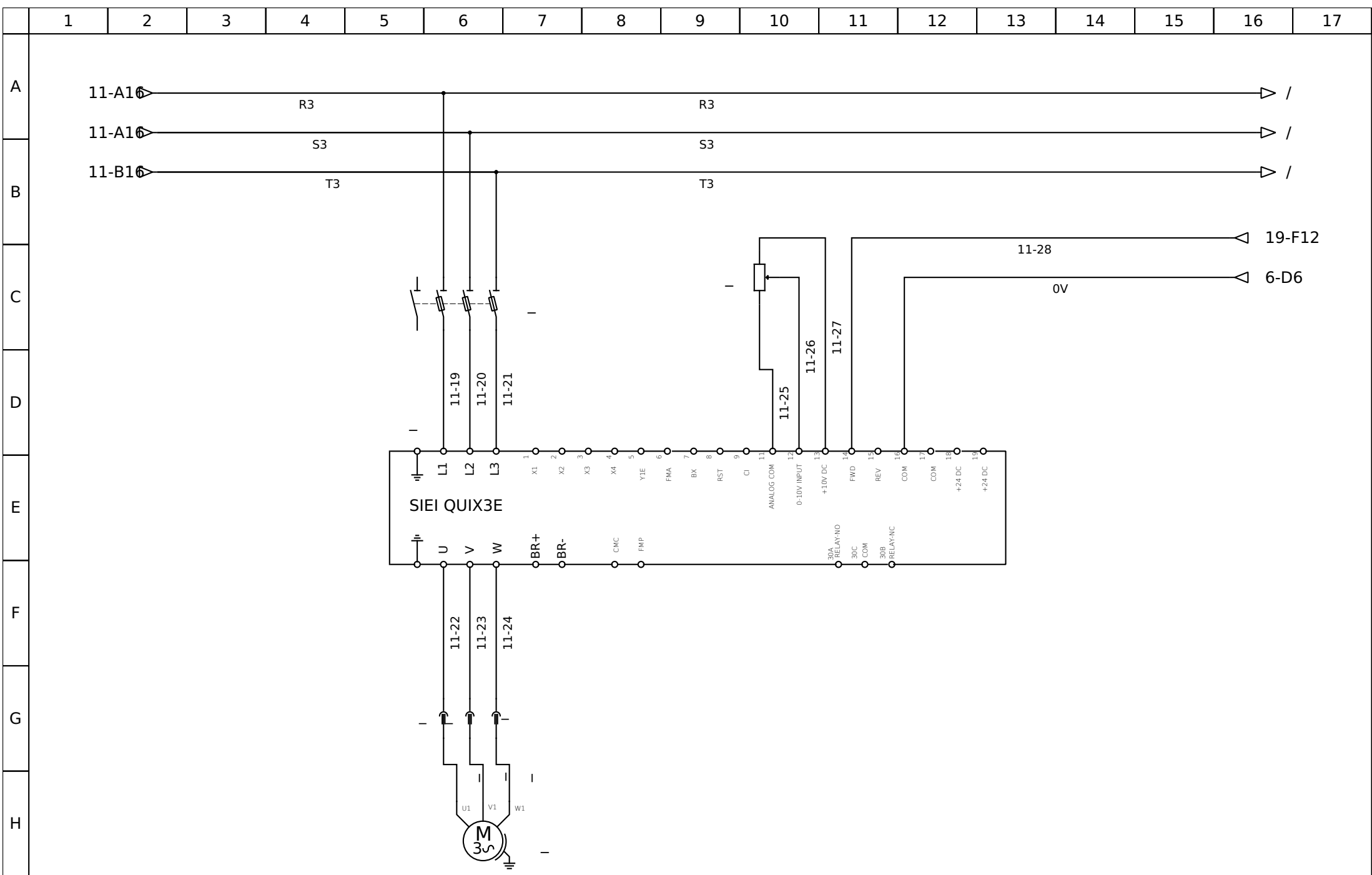
Folio: 8/40











Author: F.Alfano

Date: 01/06/17

INVERTER RULLO SCHIACCIATORE

File:

Folio: 12/40

	1	2	3	4	5	6	7	8	9	10	11	12	13	14	15	16	17
A																	
B																	
C																	
D																	
E																	
F																	
G																	
H																	

Author: f.Alfano

SPARE

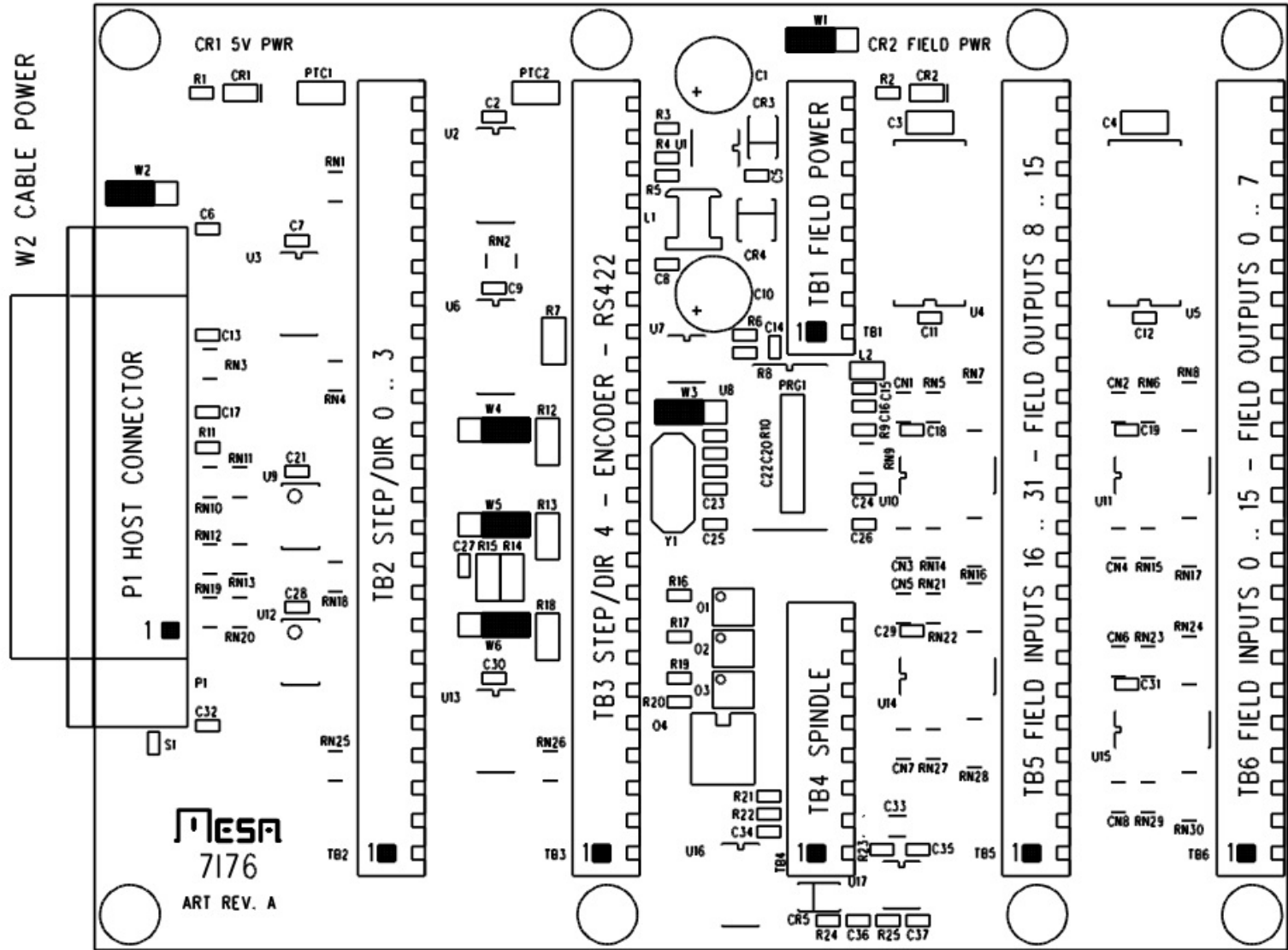
File:

Date:

Folio: 13/40

A  
B  
C  
D  
E  
F  
G  
H

W1 VIN SELECT



NOTE: TERMINAL BLOCK PIN 1'S ARE MARKED WITH SQUARE PAD

A

B

C

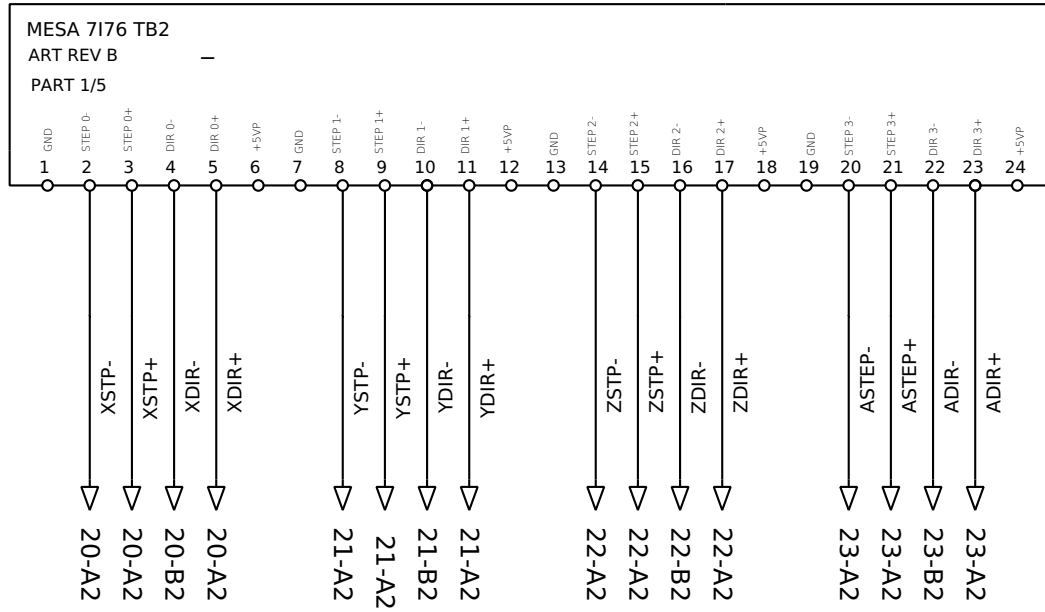
D

E

F

G

H



A

B

C

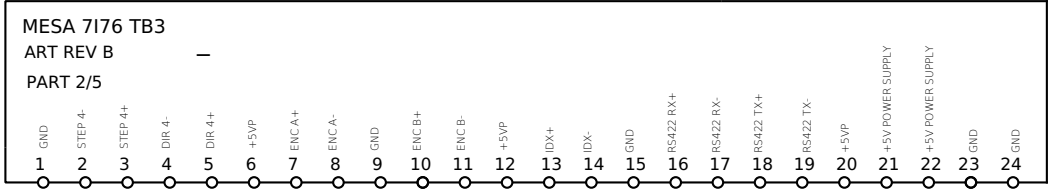
D

E

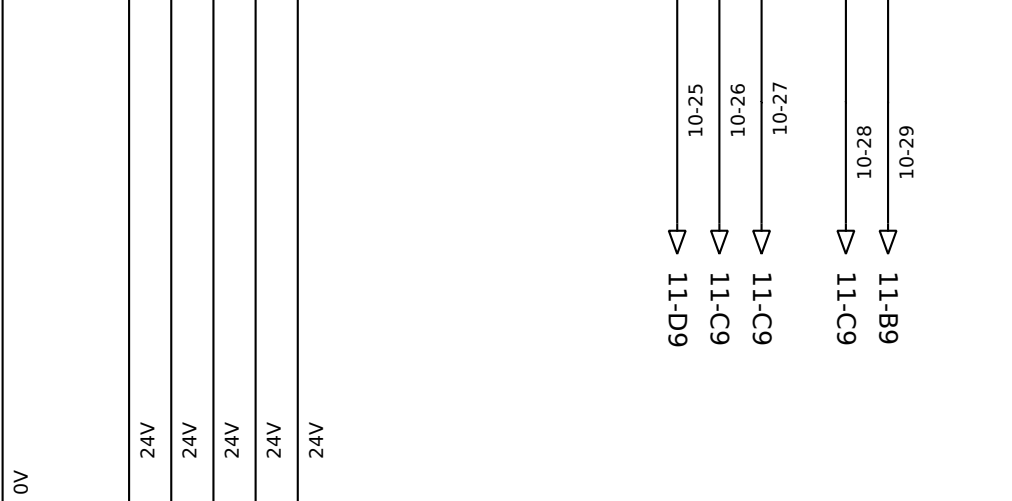
F

G

H







25-A16  
25-G16

A

B

C

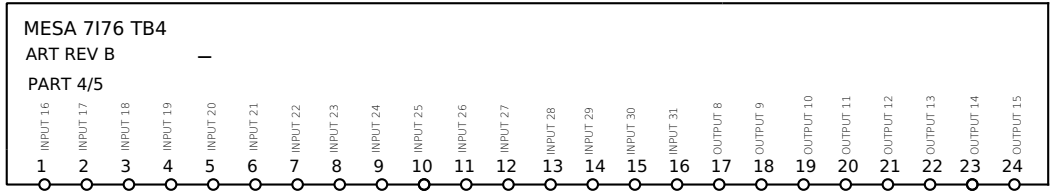
D

E

F

G

H



Author:

Date: 01/06/17

CONTROLLO 4/5

File:

Folio: 18/40

A

B

C

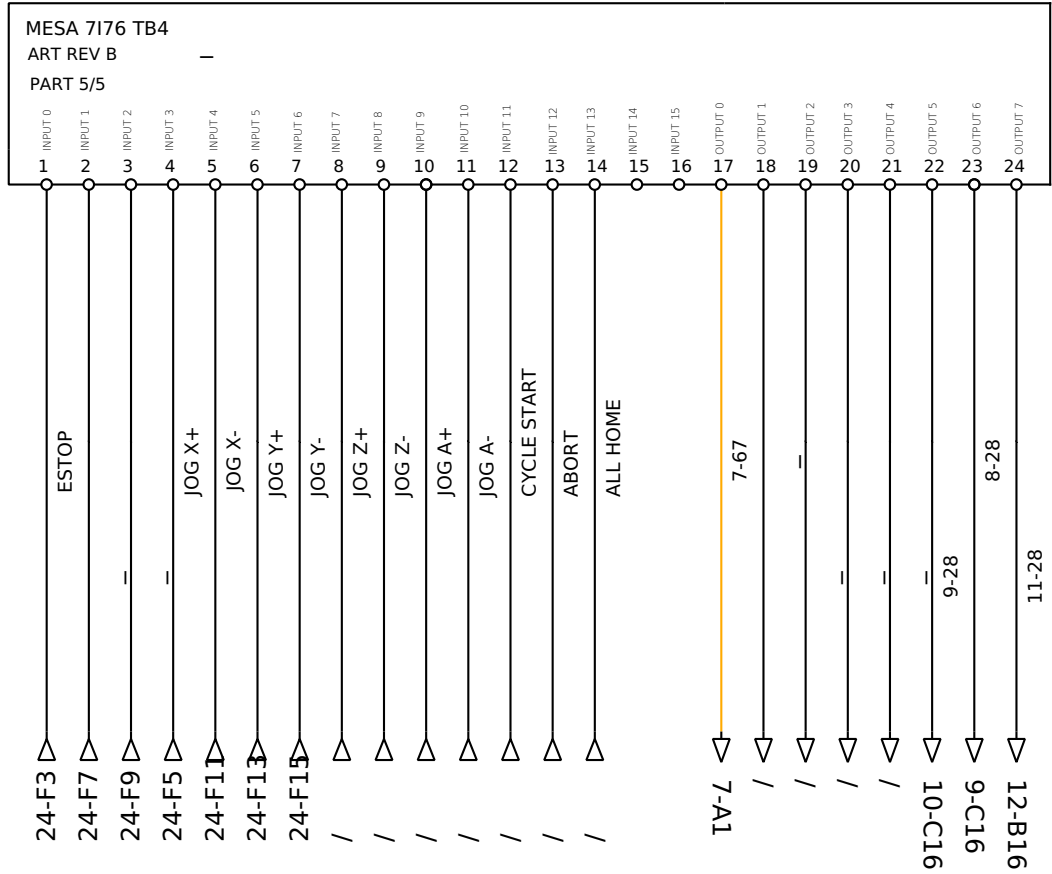
D

E

F

G

H

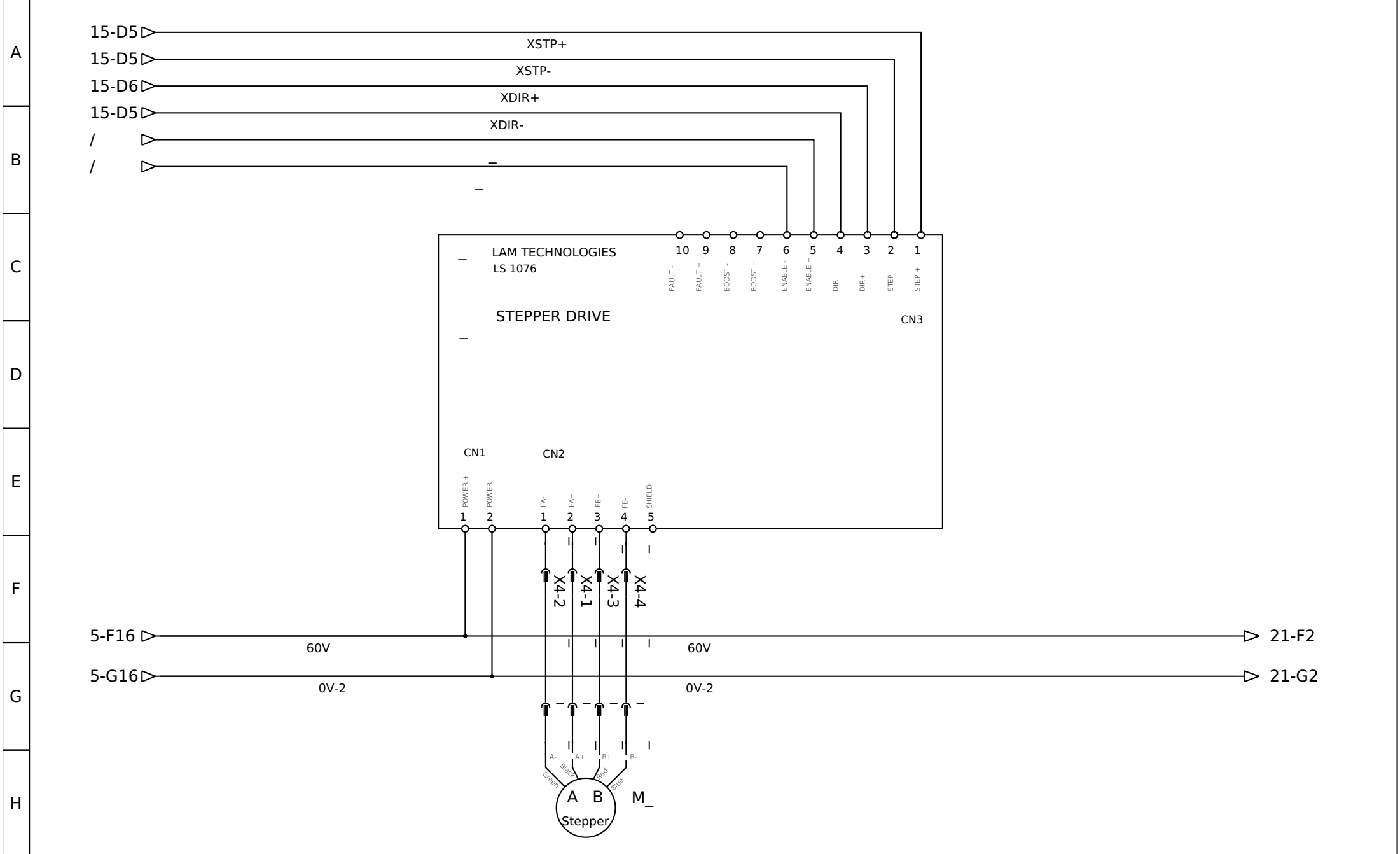


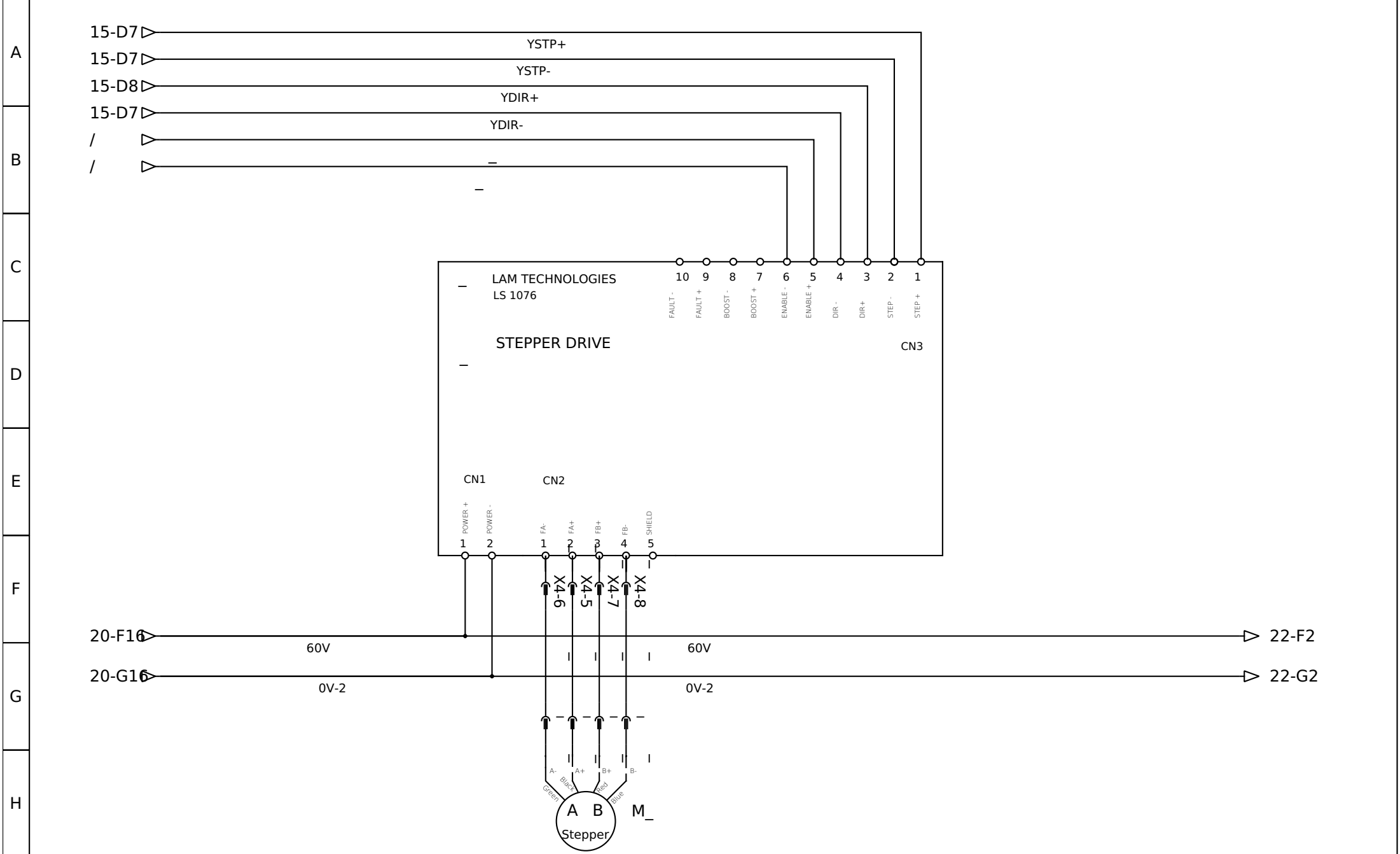
Author:

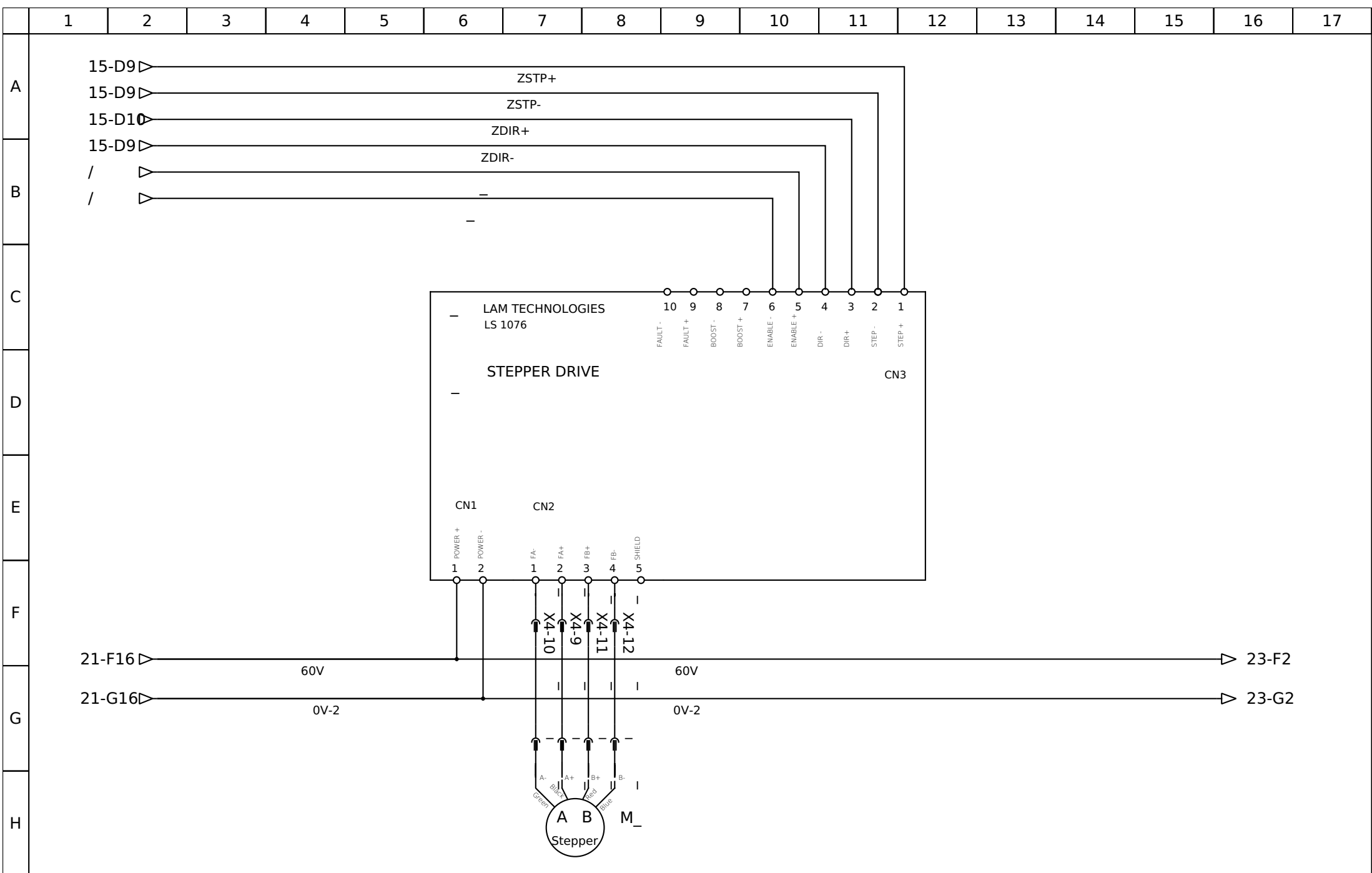
Date: 01/06/17

File:

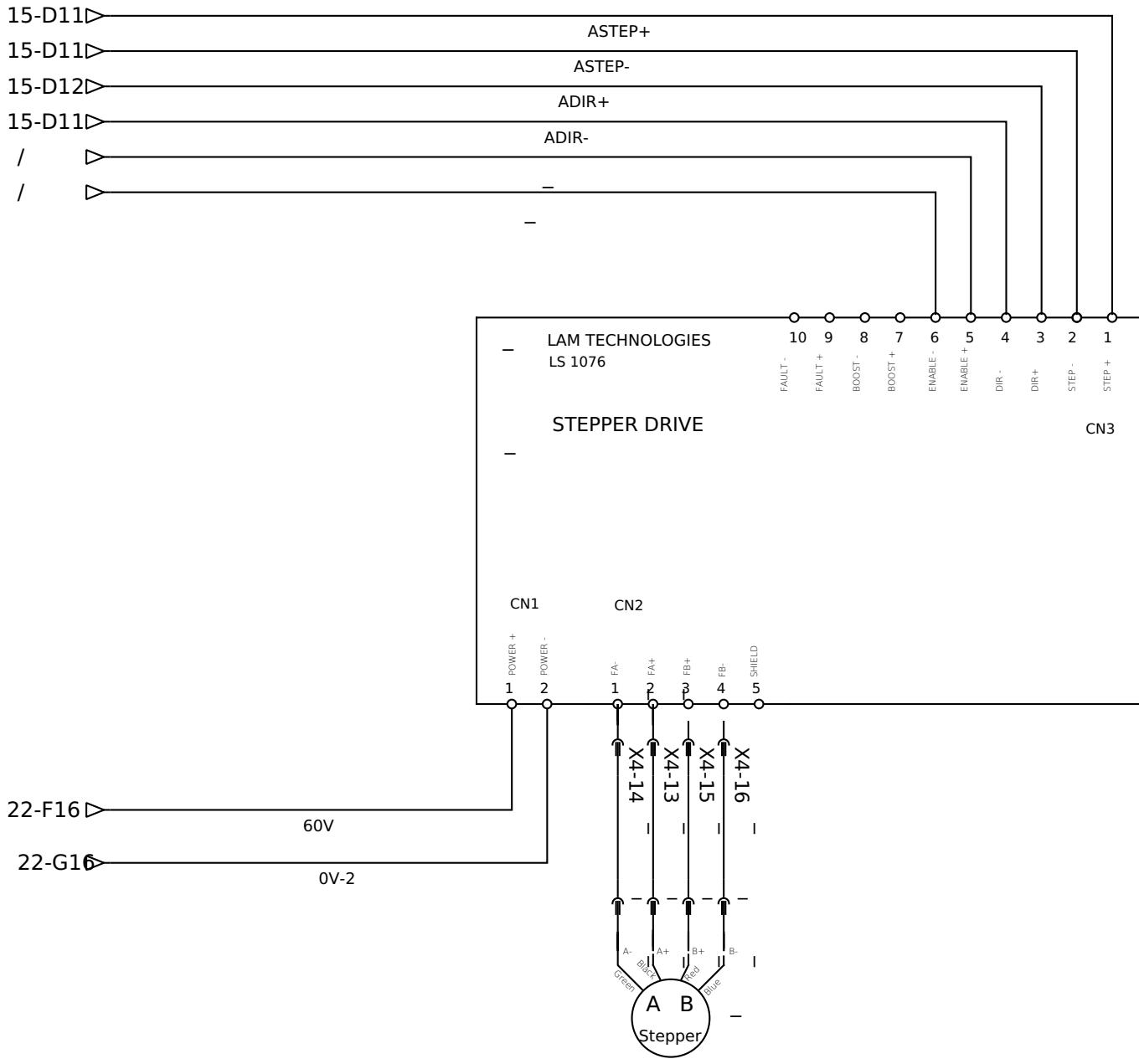
Folio: 19/40

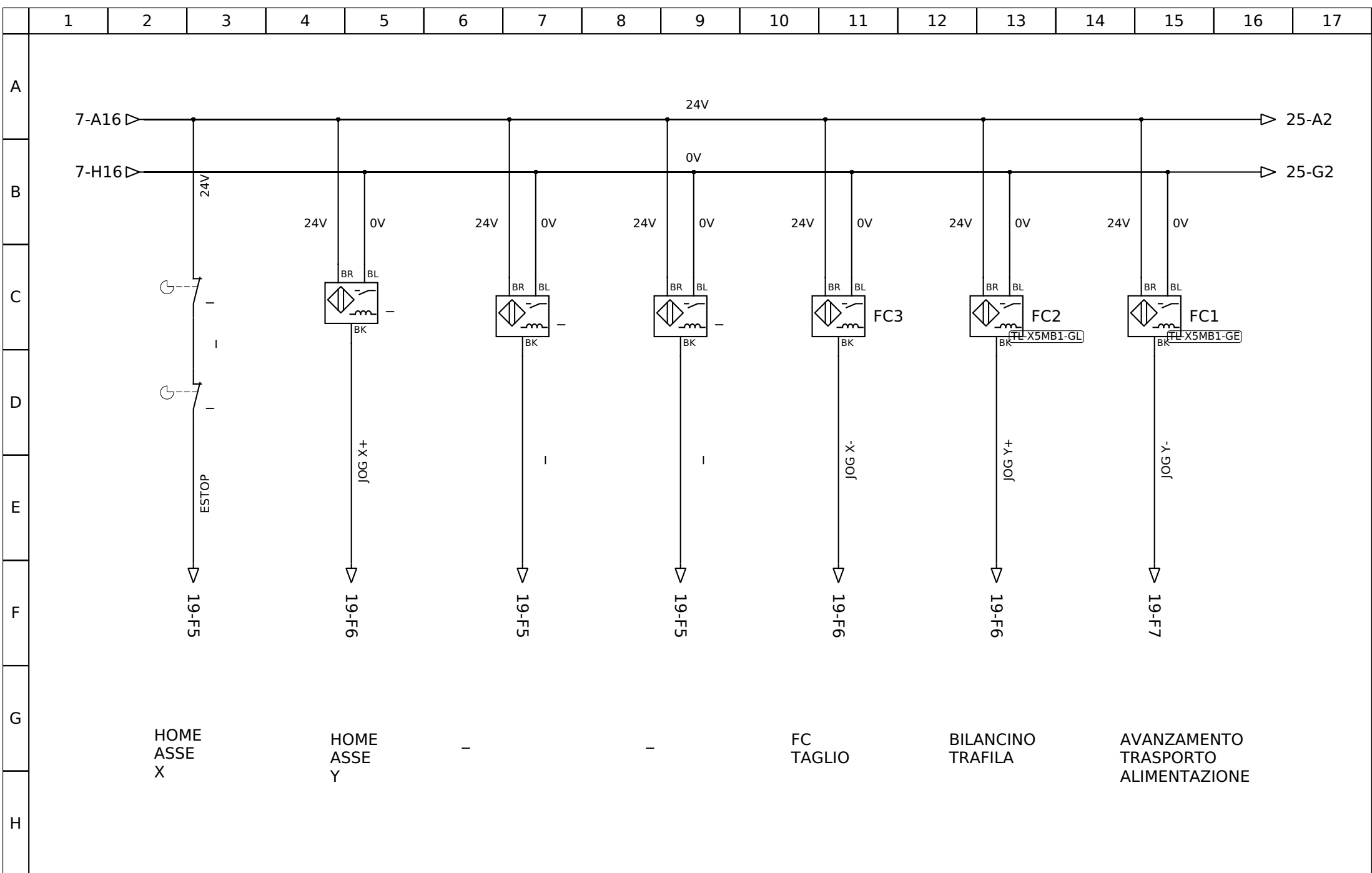




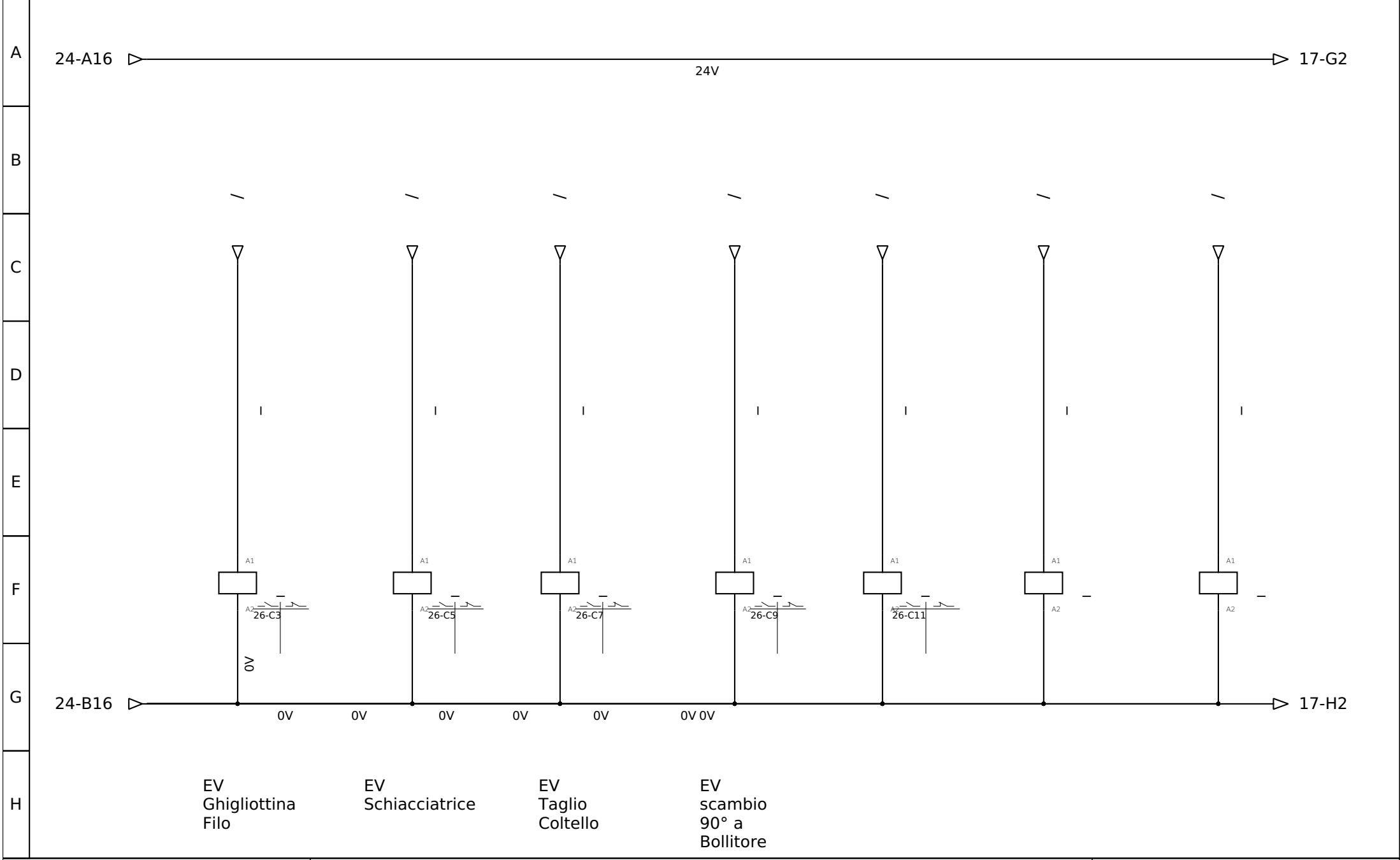


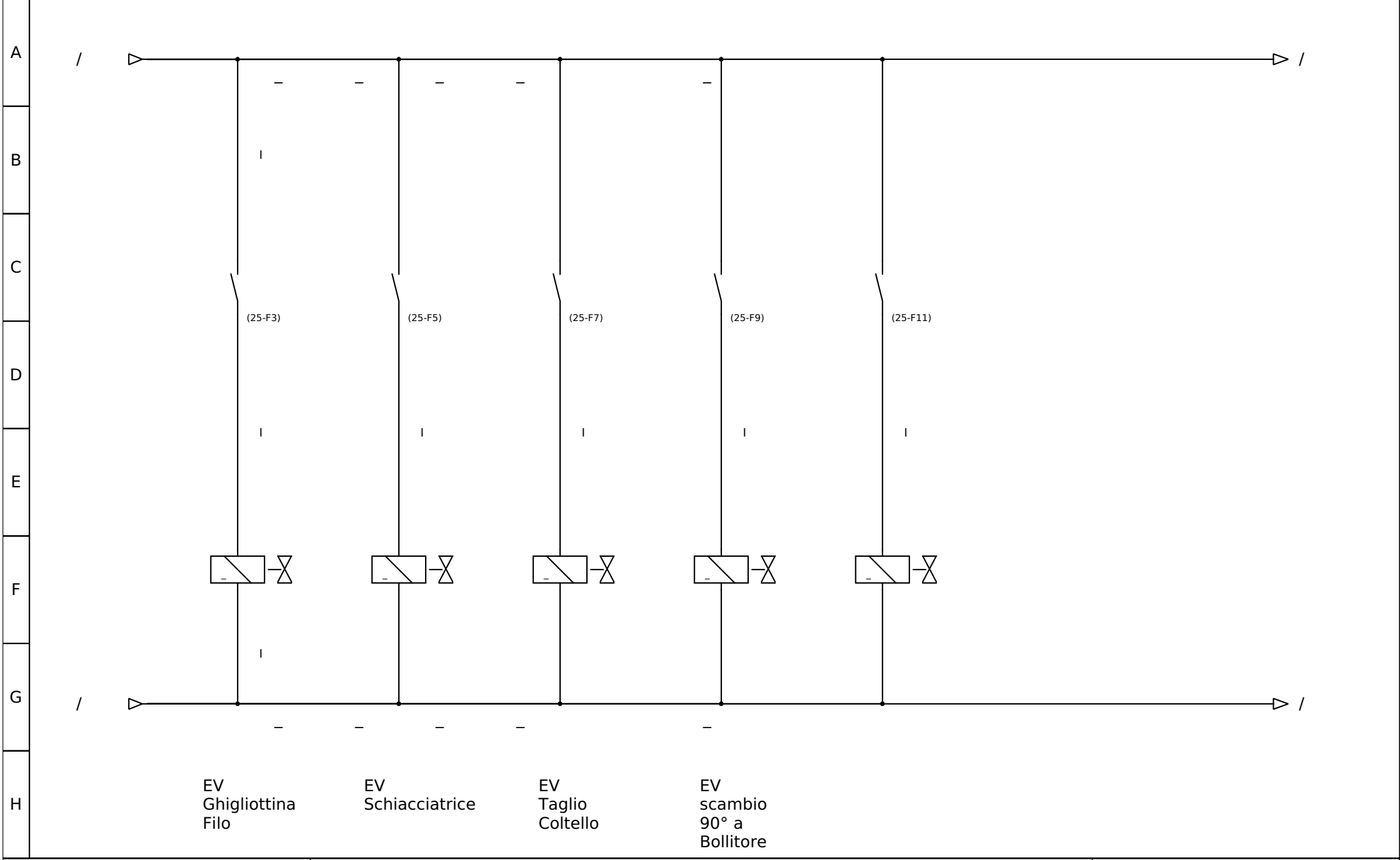
A  
B  
C  
D  
E  
F  
G  
H











Author:

Date: 01/06/17

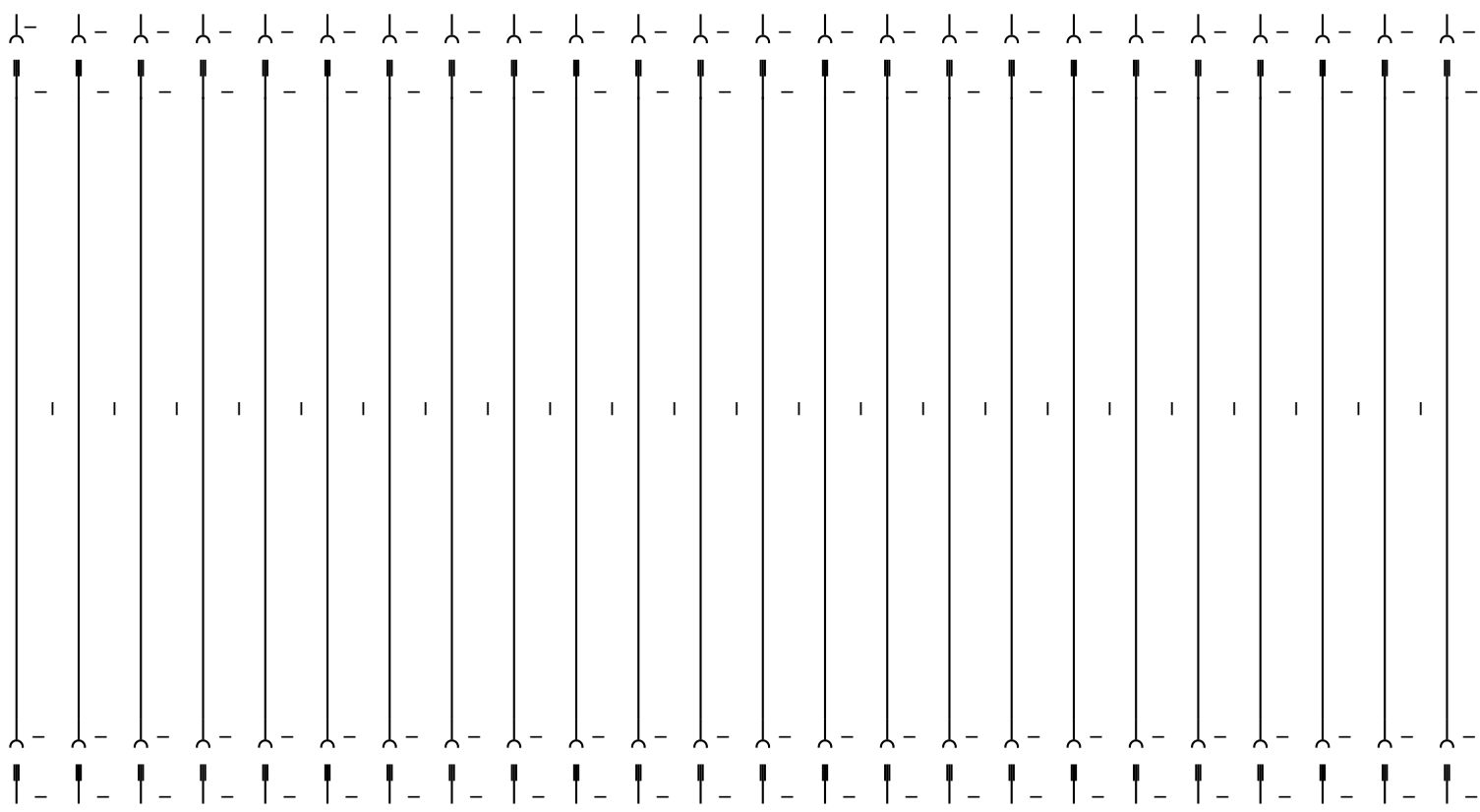
USCITE

File:

Folio: 26/40

	1	2	3	4	5	6	7	8	9	10	11	12	13	14	15	16	17																		
A			24v	0V	estop	estop	pb start	pb stop	pb x+	pb x-	pb y+	pb y-	pb z+	pb z-	pot s	pot +	pot -	home x	home y	fc 1 Load	fc2 cassetto	fc3 barriera	spare	spare	spare	spare									
B			1	2	3	4	5	6	7	8	9	10	11	12	13	14	15	16	17	18	19	20	21	22	23	24								ILME CNFM24T	ILME CNEM24T
C																																			
D			1	2	3	4	5	6	7	8	9	10	11	12	13	14	15	16	17	18	19	20	21	22	23	24								CAVO FROR 24 G 1 10m	
E																																			
F			1	2	3	4	5	6	7	8	9	10	11	12	13	14	15	16	17	18	19	20	21	22	23	24								ILME CNFM24T	ILME CNEM24T
G																																			
H			rosso	nero	bianco	marrone	rosa	grigio	giallo	verde	blu	viola	rossa-grigio	rosso-blu	rosso	nero	bianco	marrone	rosa	grigio	giallo	verde	blu	viola	rossa-grigio	rosso-blu									

A  
B  
C  
D  
E  
F  
G  
H



ILME CNFM24T

ILME CNEM24T

CAVO  
FROR 24 G 1

ILME CNFM24T

ILME CNEM24T

Author:  
Date:

X3 CONNETTORE MOTORI STEPPER

File:  
Folio: 28/40

A

B

C

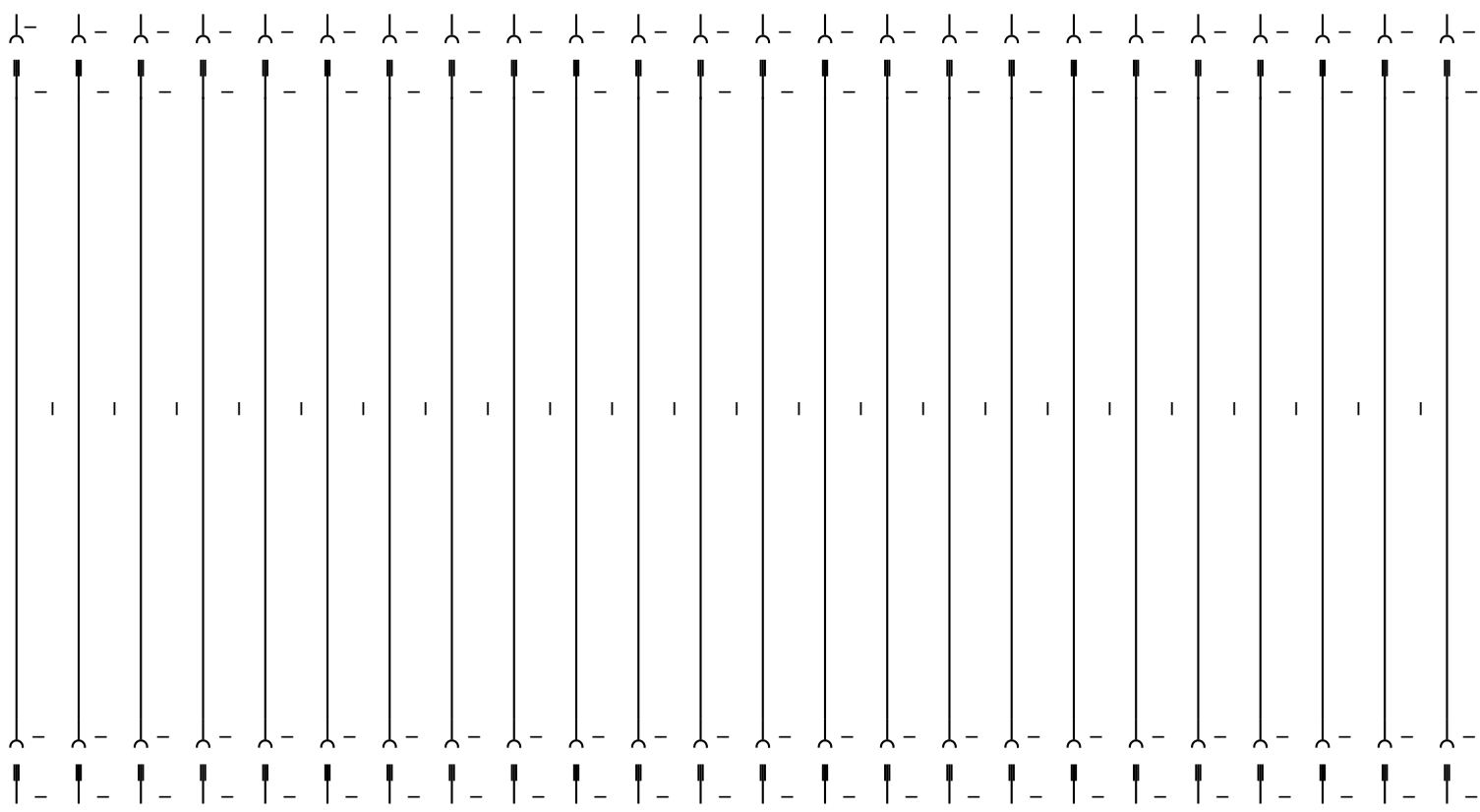
D

E

F

G

H



ILME CNFM24T

ILME CNEM24T

CAVO  
FROR 24 G 1

ILME CNFM24T

ILME CNEM24T

Author:

X4 CONNETTORE MOTORI ASINCRONI

File:

Date:

Folio: 29/40

	1	2	3	4	5	6	7	8	9	10	11	12	13	14	15	16	17
A																	
B																	
C																	
D																	
E																	
F																	
G																	
H																	

Author:

File:

Date:

Folio: 30/40

	1	2	3	4	5	6	7	8	9	10	11	12	13	14	15	16	17
--	---	---	---	---	---	---	---	---	---	----	----	----	----	----	----	----	----

A																	
B																	
C																	
D																	
E																	
F																	
G																	
H																	

Author:

File:

Date:

Folio: 31/40

	1	2	3	4	5	6	7	8	9	10	11	12	13	14	15	16	17
--	---	---	---	---	---	---	---	---	---	----	----	----	----	----	----	----	----

A																	
B																	
C																	
D																	
E																	
F																	
G																	
H																	

Author:

File:

Date:

Folio: 32/40



	1	2	3	4	5	6	7	8	9	10	11	12	13	14	15	16	17
--	---	---	---	---	---	---	---	---	---	----	----	----	----	----	----	----	----

A																	
B																	
C																	
D																	
E																	
F																	
G																	
H																	

Author:

File:

Date:

Folio: 33/40

	1	2	3	4	5	6	7	8	9	10	11	12	13	14	15	16	17
--	---	---	---	---	---	---	---	---	---	----	----	----	----	----	----	----	----

A																	
B																	
C																	
D																	
E																	
F																	
G																	
H																	

Author:

File:

Date:

Folio: 34/40

	1	2	3	4	5	6	7	8	9	10	11	12	13	14	15	16	17
--	---	---	---	---	---	---	---	---	---	----	----	----	----	----	----	----	----

A																	
B																	
C																	
D																	
E																	
F																	
G																	
H																	

Author:

File:

Date:

Folio: 35/40

	1	2	3	4	5	6	7	8	9	10	11	12	13	14	15	16	17
A																	
B																	
C																	
D																	
E																	
F																	
G																	
H																	

Author:

File:

Date:

Folio: 36/40

	1	2	3	4	5	6	7	8	9	10	11	12	13	14	15	16	17
--	---	---	---	---	---	---	---	---	---	----	----	----	----	----	----	----	----

A																	
B																	
C																	
D																	
E																	
F																	
G																	
H																	

Author:

File:

Date:

Folio: 37/40

A

B

C

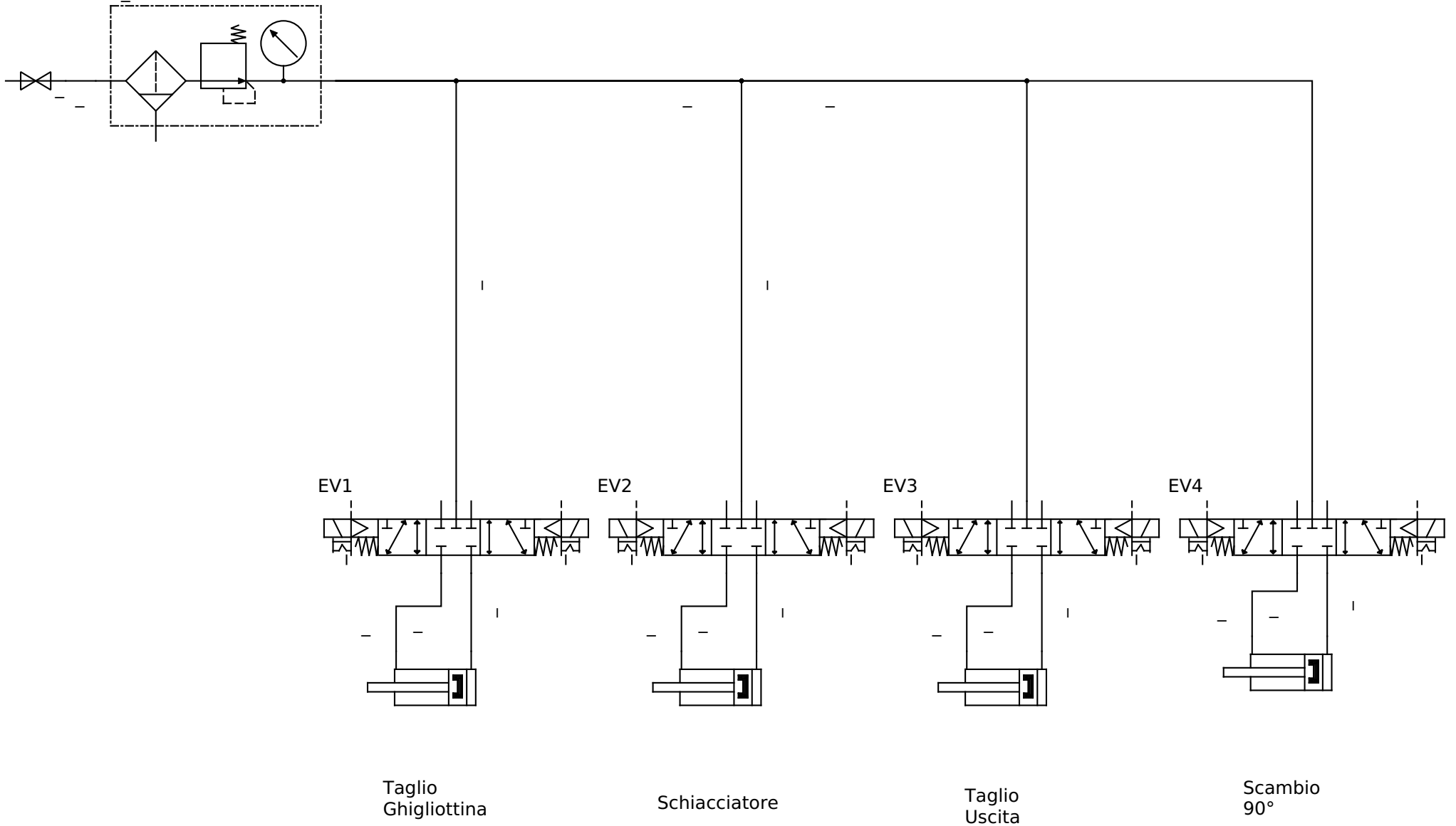
D

E

F

G

H



	1	2	3	4	5	6	7	8	9	10	11	12	13	14	15	16	17
--	---	---	---	---	---	---	---	---	---	----	----	----	----	----	----	----	----

A																	
B																	
C																	
D																	
E																	
F																	
G																	
H																	

Author:

File:

Date:

Folio: 39/40

	1	2	3	4	5	6	7	8	9	10	11	12	13	14	15	16	17
A																	
B																	
C																	
D																	
E																	
F																	
G																	
H																	

Author:

File:

Date:

Folio: 40/40