

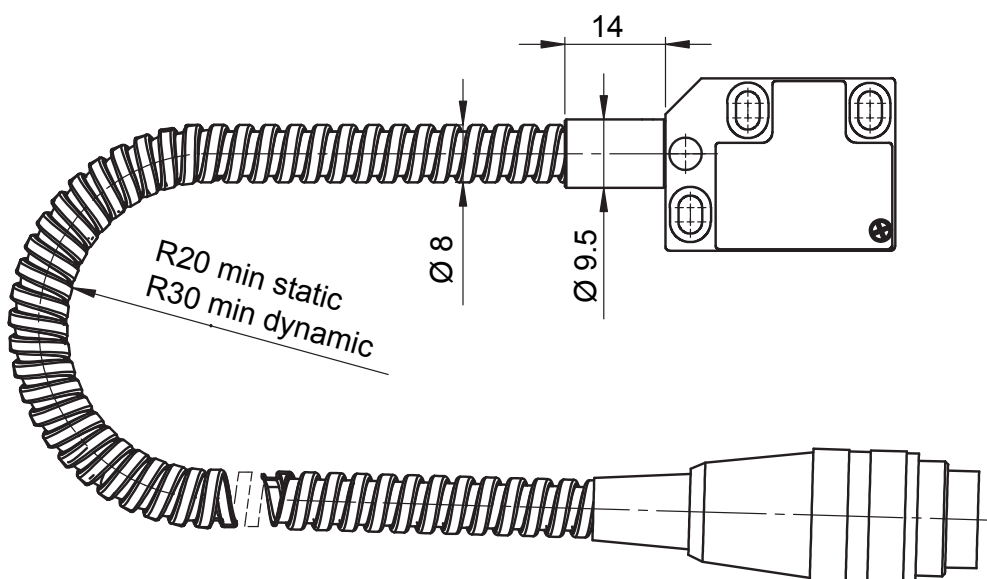
LM10/15 special option 40: cable with stainless-steel protection tube



- Maximum cable length 30 m
- Available with all standard output types
- Available with all standard connectors
- Excellent cable protection, specially for harsh environment (machine tools, mining equipment etc.)
- Cable protection tube proved at more than 2 million strokes at minimum bend radius
- Excellent dirt immunity to IP68
- For details refer to LM10 or LM15 data sheets

Dimensions and connections

Dimensions in mm.



Ordering code



LM10 IC 010 C A 10 F 40

Output type

AS - Analogue voltage 1 V_{pp}, wide reference pulse, 5 V
AV - Analogue voltage, 1 V_{pp}, 5 V
IA - Incremental Push-Pull outputs, 5 V – 30 V
IB - Incremental, Open Collector NPN, 5 V – 30 V
IC - Incremental, RS422, 5 V

Resolution/interpolation factor

For **AV** and **AS**: **000** - N/A
 For **IA**, **IB** and **IC**:
13B - 8192 **09B** - 512 **020** - 100 (20 μm)
12B - 4096 **D50** - 500 **D08** - 80
11B - 2048 **005** - 400 (5 μm) **06B** - 64
001 - 2000 (1 μm) **D32** - 320 **050** - 40 (50 μm)
1D6 - 1600 **08B** - 256 **05B** - 32
10B - 1024 **010** - 200 (10 μm) **04B** - 16 (125 μm)
002 - 1000 (2 μm) **D16** - 160 **03B** - 8 (250 μm)
D80 - 800 **07B** - 128
PRG - Programmable, preset to 1 μm (for **IC** only)

Minimum edge separation

For **AV** and **AS**: **A** - N/A
 For **IA**, **IB** and **IC**:
K - 0.07 μs (15 MHz)¹
A - 0.12 μs (8 MHz)²
B - 0.5 μs (2 MHz)
C - 1 μs (1 MHz)
D - 2 μs (0.5 MHz)
E - 4 μs (0.25 MHz)
F - 5 μs (0.2 MHz)
G - 10 μs (0.1 MHz)
H - 20 μs (0.05 MHz)

Special requirements

40 - Protective stainless-steel tube for cable
4M - Protective stainless-steel tube for cable, cable length in meters

Connector option

A - 9 pin D type plug
D - 15 pin D type plug (for **IC** output type)
F - Flying lead (no connector)³
H - 15 pin HD type plug (for **IC** output type)
L - 15 pin D type plug (for **AV** and **AS** output types)
P - 9 pin D type plug (for **AV** and **AS** output types)
U - 7 pin DIN EN60130-9 plug (for **IA** and **IC** output types)

Cable length

10 - 1.0 m (standard)
 (eg. 13 - 1.3 m cable and
 13 - 13 m cable if special option **4M** is chosen)

Reference

A - With reference sensor⁵
B - No reference sensor⁵
C - Periodic reference impulse as per scale pitch (every 2 mm)⁴

1 Not available with 03B and 04B interpolation factors.
 2 Default for **PRG** option; not available with 03B interpolation factor.
 3 The **PRG** option comes with a plastic connector.
 4 Not available with **AS** output type.
 5 Not available with 03B interpolation factor.

Head office

RLS merilna tehnika d.o.o.

Poslovna cona Žeje pri Komendi
Pod vrbami 2
SI-1218 Komenda
Slovenia

T +386 1 5272100

F +386 1 5272129

E mail@rls.si

www.rls.si

Document issues

Issue	Date	Page	Amendments done
1	4. 4. 2016	-	New document